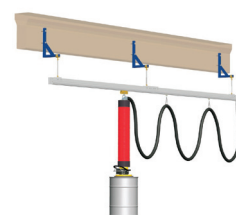


# TAWI

*Lyftman*

## Quality Systems



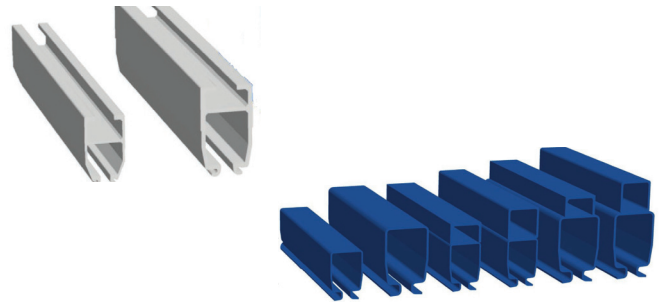
# TAWI Lyftman Rail Profiles

TAWI offers four basic rail profiles with four additional capacities using a support structure on top of our steel tracks. From simple lighter aluminum systems to complex heavy duty steel installations.

Our aluminum profiles LR86 and LR113 are for quick and smooth manual operation for lighter lifting up to 125 kg. By choosing these you achieve flexibility and reduce applied forces to the ceiling structure.

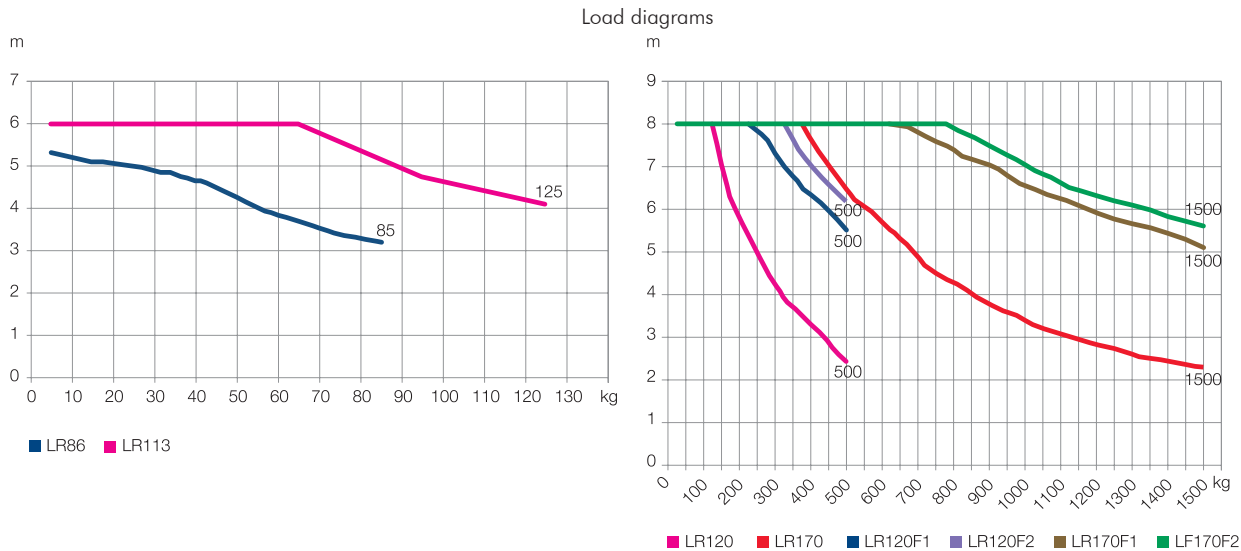
Our steel profiles LR120 and LR170 are the strong and ergonomic choice, ideal for any heavier weight applications in any working environment. Suitable when increased suspension distance is required.

Our track is formed from a single piece of cold rolled high strength steel. NO weldments means less wear! The result is little manual strain and good ergonomics.

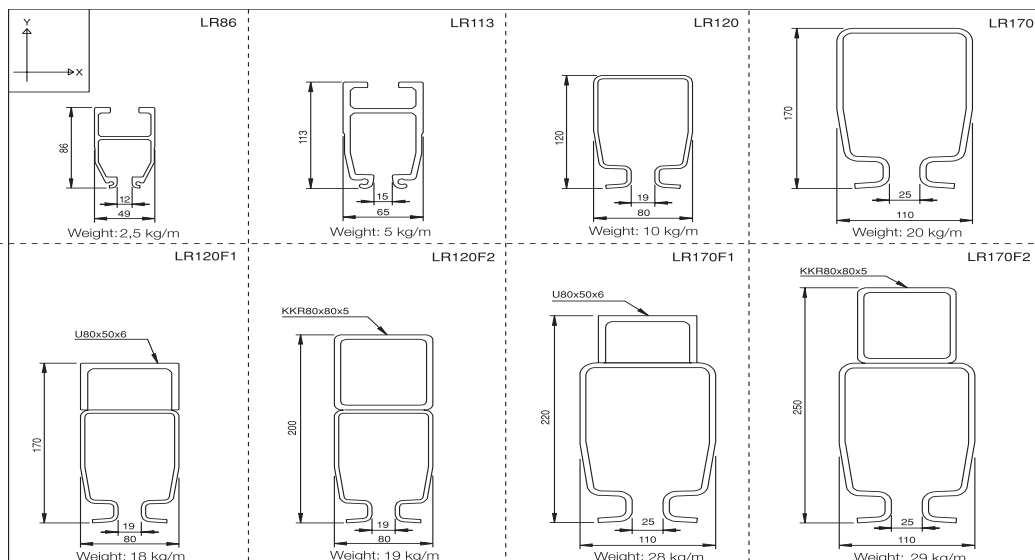


## Optimal design of aluminum and steel rails, ensure high load capacity per meter

It is crucial to choose the correct cranes for your needs in order to obtain maximum efficiency, good ergonomics and minimum use of manual force. With our many years of experience gaining us market expertise we will provide you with practical advice guiding you to the optimal solution to solve your problems.



### Dimensions



The complete portfolio of profiles is illustrated to the left. Aluminium profiles LR86/LR113, steel profiles LR120/LR170 and reinforced profiles LR120 F1/F2 and LR170 F1/F2.



Building Height		
Model	Min standard, mm	Min low-built, mm
LR86	300	150
LR113	390	200
LR120	485	285
LR170	535	285

## Lyftman Crane Systems - Various Options



## Suspensions - Maximum operational and personal safety

The LR-System range of suspensions include a wide variety of solutions for maximum operational and personal safety. Maximised suspension distance with support span up to 8 meters between supports for ceiling structures with infrequent support points. This means less steel supporting construction, fewer suspension components and quicker installation time. The LR-System has very rugged suspension mountings of universal type which permits various possibilities, for example suspension in steel beams, concrete ceilings and concrete beams.







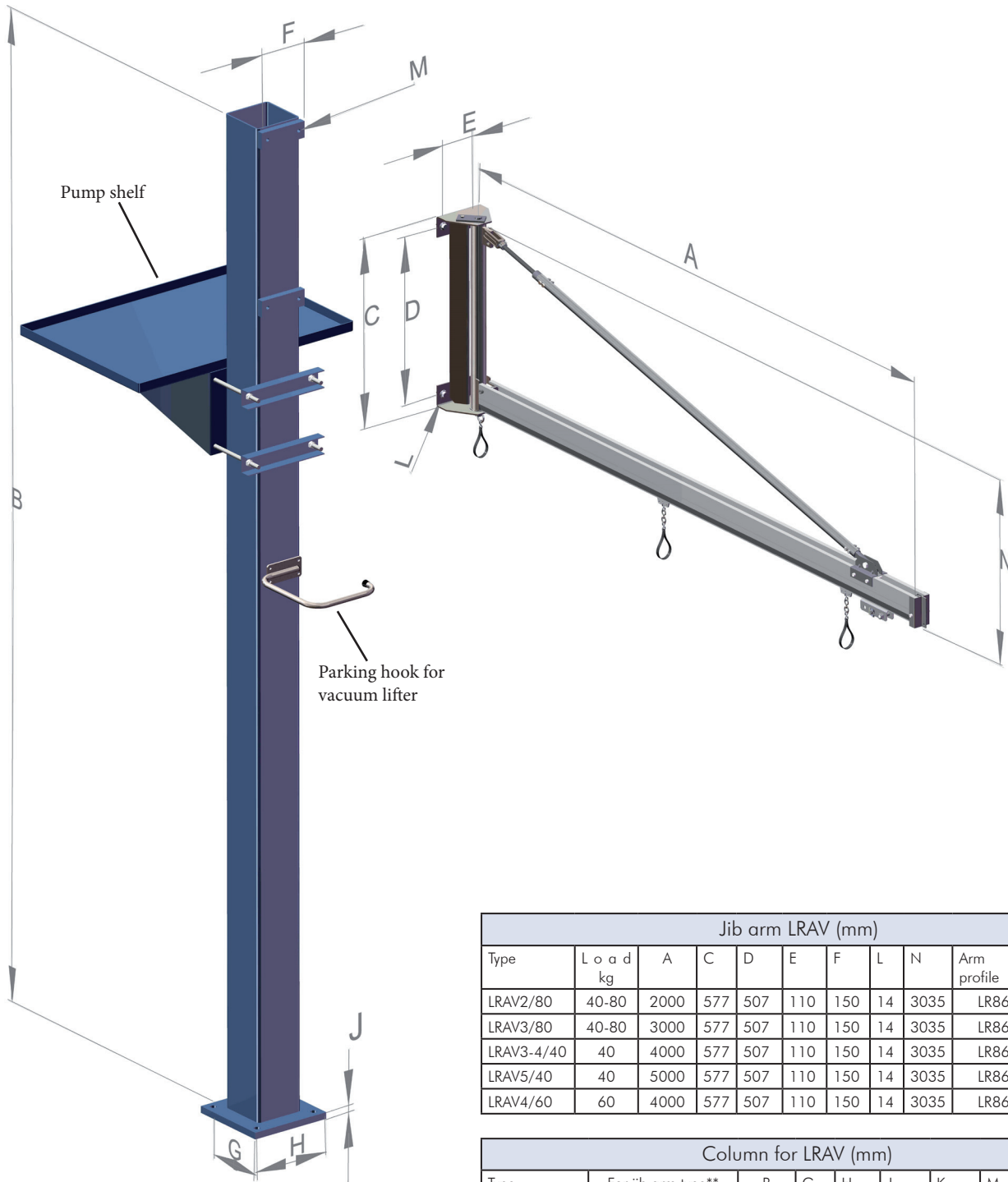


## **Steel and aluminium Jib Cranes**



## Standard lightweight Jib cranes up to 80 kg - LRAV/LRAP

This standard aluminium arm is available in LR profile, LR86, suitable for lightweight goods handling up to 80 kg. The arm is flexible and can be installed on a wall or column. The advantage of using aluminium arms is that it offers the least amount of friction resulting in smooth operation. Available in radius of action up to 240 degrees and various arm lengths.



Jib arm LRAV (mm)										
Type	Load kg	A	C	D	E	F	L	N	Arm profile	Weight, kg
LRAV2/80	40-80	2000	577	507	110	150	14	3035	LR86	15
LRAV3/80	40-80	3000	577	507	110	150	14	3035	LR86	19
LRAV3-4/40	40	4000	577	507	110	150	14	3035	LR86	22
LRAV5/40	40	5000	577	507	110	150	14	3035	LR86	27
LRAV4/60	60	4000	577	507	110	150	14	3035	LR86	23

Column for LRAV (mm)								
Type	For jib arm type**	B	G	H	J	K	M	Weight, kg/m
LPM15361	LRAV2/80	3610	250	200	20	18	M12	25
	LRAV3/80							
	LRAV3-4/40							
	LRAV5/40							
	LRAV4/60							

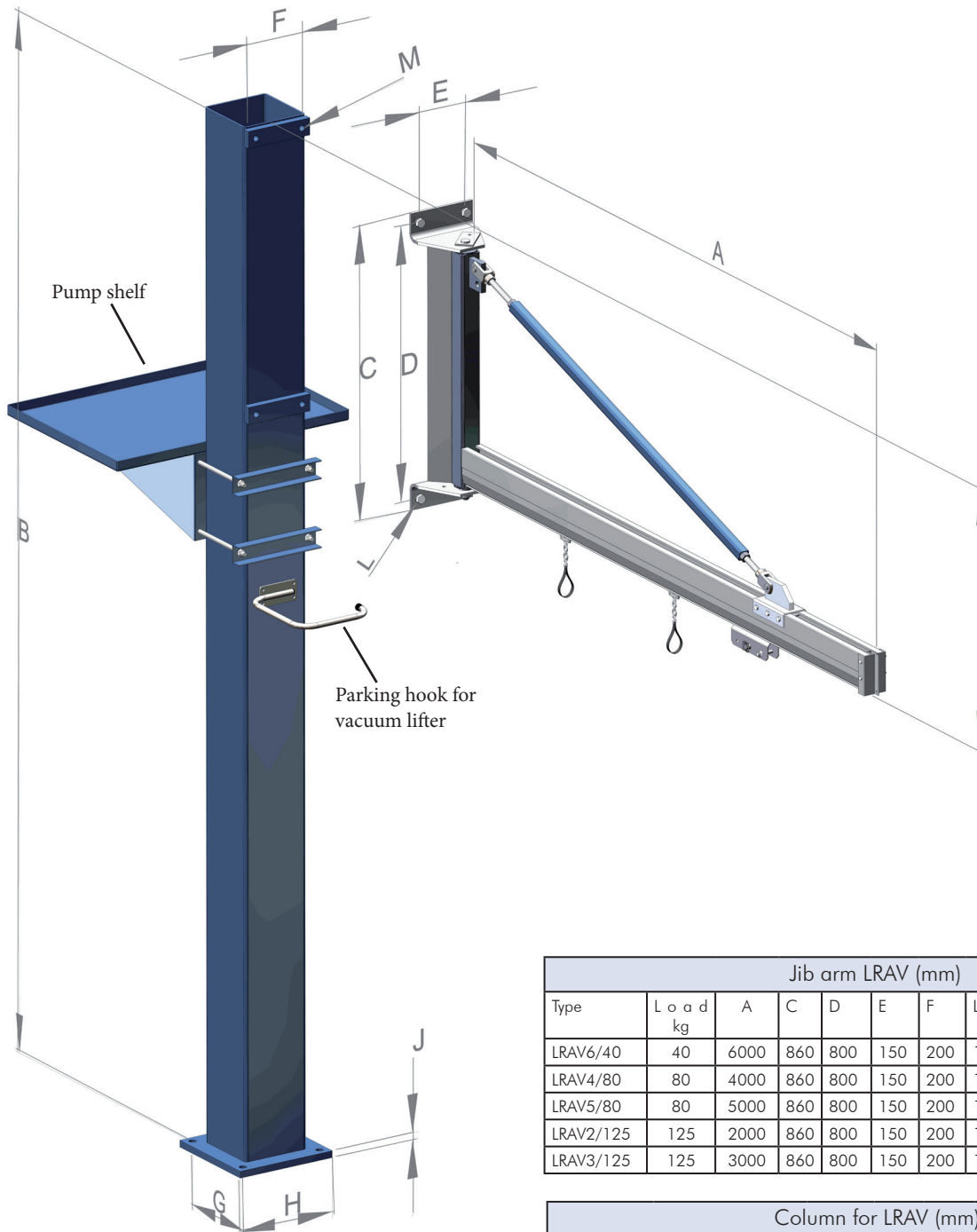
\*\* Included with the jib arm is 1 pcs trolley, 3 pcs trolley for air tube with leather strap, end stop, load signs and 4 pcs M12-bolts. IMPORTANT! When ordering a ViperHoist please order one extra trolley and make sure to change to cable trolleys.

Accessories	
Type	Art.no:
Pump shelf	IR32526
Parking hook for vacuum lifter	610420 (VM160/180/200) 630420 (VM100/120/140)
Rotation stop	Sy-10433
Column has pre threaded holes for easy assembly of aifilter. Delivered with plastic straps for air tube.	



## Standard lightweight Jib cranes up to 125 kg - LRAV/LRAP

This standard aluminium arm is available in LR profile, LR113 with steel support, suitable for lightweight goods handling up to 125 kg. The arm is flexible and can be installed on a wall or column, your choice! The benefits of using aluminum arms is that it offers the least amount of friction resulting in smooth operation. Available in radius of action up to 240 degrees and various arm lengths.



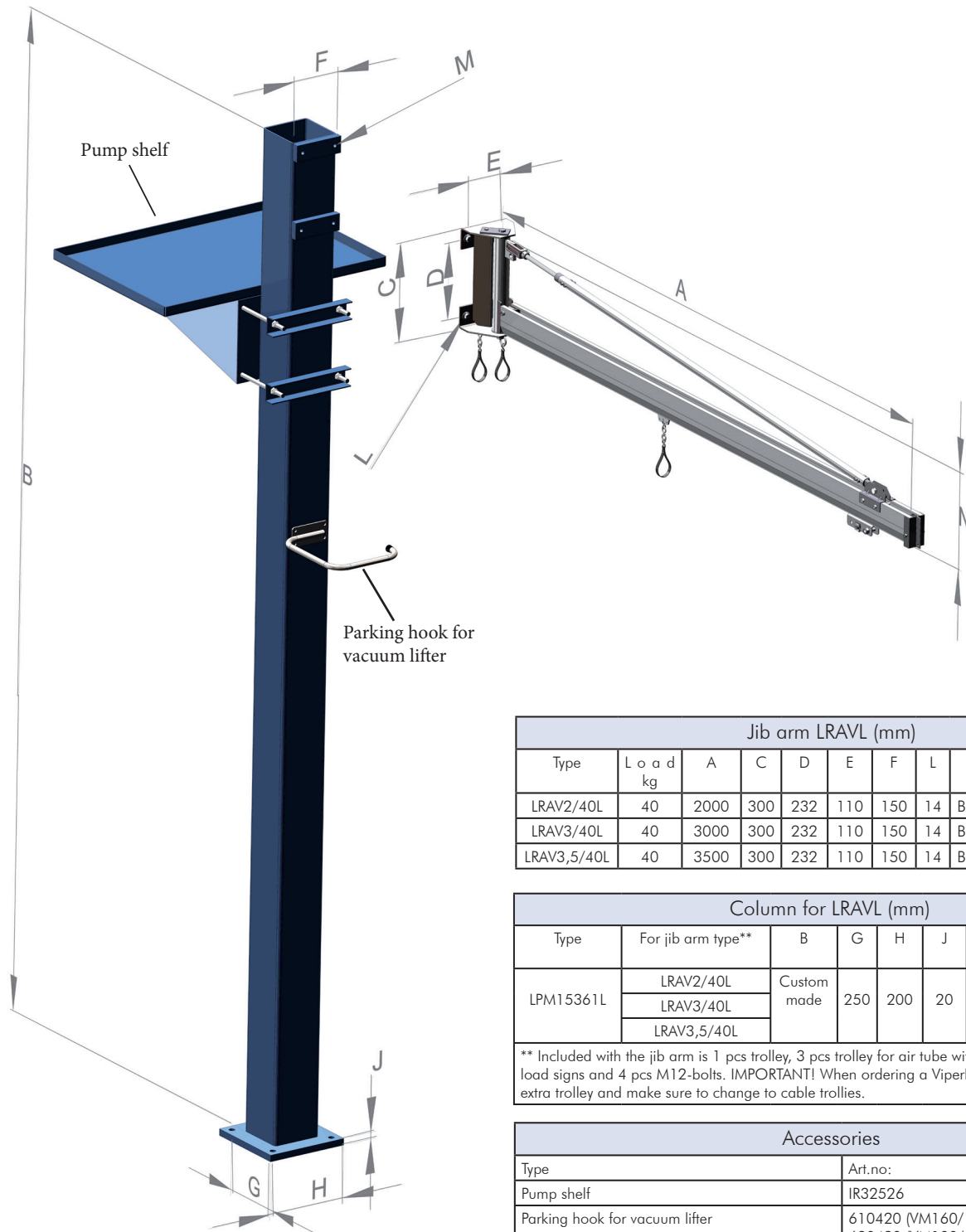
Accessories	
Type	Art.no:
Pump shelf	IR32526
Parking hook for vacuum lifter	610420 (VM160/180/200) 630420 (VM100/120/140)
Rotation stop	Sy-10433
Column has pre threaded holes for easy assembly of airfilter. Delivered with plastic straps for air tube.	

Jib arm LRAV (mm)										
Type	Load kg	A	C	D	E	F	L	N	Arm profile	Weight, kg
LRAV6/40	40	6000	860	800	150	200	18	3000	LR113	65
LRAV4/80	80	4000	860	800	150	200	18	3000	LR113	55
LRAV5/80	80	5000	860	800	150	200	18	3000	LR113	60
LRAV2/125	125	2000	860	800	150	200	18	3000	LR113	45
LRAV3/125	125	3000	860	800	150	200	18	3000	LR113	50

Column for LRAV (mm)								
Type	For jib arm type**	B	G	H	J	K	M	Weight, kg/m
LPM20386	RAV6/40	3860	300	250	20	24	M16	34
	LRAV4/80							
	LRAV5/80							
	LRAV2/125							
	LRAV3/125							
** Included with the jib arm is 1 pcs trolley, 3 pcs trolley for air tube with leather strap, end stop, load signs and 4 pcs M12-bolts. IMPORTANT! When ordering a ViperHoist please order one extra trolley and make sure to change to cable trollies.								

## Low built Jib cranes up to 40 kg - LRAVL

A low built jib arm is the optimal solution in low headroom area. The arm builds only 300 mm at the point of installation. Available in 3 basic versions in both aluminium and steel for lightweight goods handling up to 40 kg. The arms can be mounted directly on a wall or column. We manufacture custom made columns for low headroom areas. Radius of action up to 270 degrees and various arm lengths.



Jib arm LRAVL (mm)										
Type	Load kg	A	C	D	E	F	L	N	Arm profile	Weight, kg
LRAV2/40L	40	2000	300	232	110	150	14	B-300	LR86	12,4
LRAV3/40L	40	3000	300	232	110	150	14	B-300	LR86	15,2
LRAV3,5/40L	40	3500	300	232	110	150	14	B-300	LR86	16,5

Column for LRAVL (mm)								
Type	For jib arm type**	B	G	H	J	K	ø M	Weight, kg/m
LPM15361L	LRAV2/40L	Custom made	250	200	20	18	M12	25
	LRAV3/40L							
	LRAV3,5/40L							

\*\* Included with the jib arm is 1 pcs trolley, 3 pcs trolley for air tube with leather strap, end stop, load signs and 4 pcs M12-bolts. IMPORTANT! When ordering a ViperHoist please order one extra trolley and make sure to change to cable trollies.

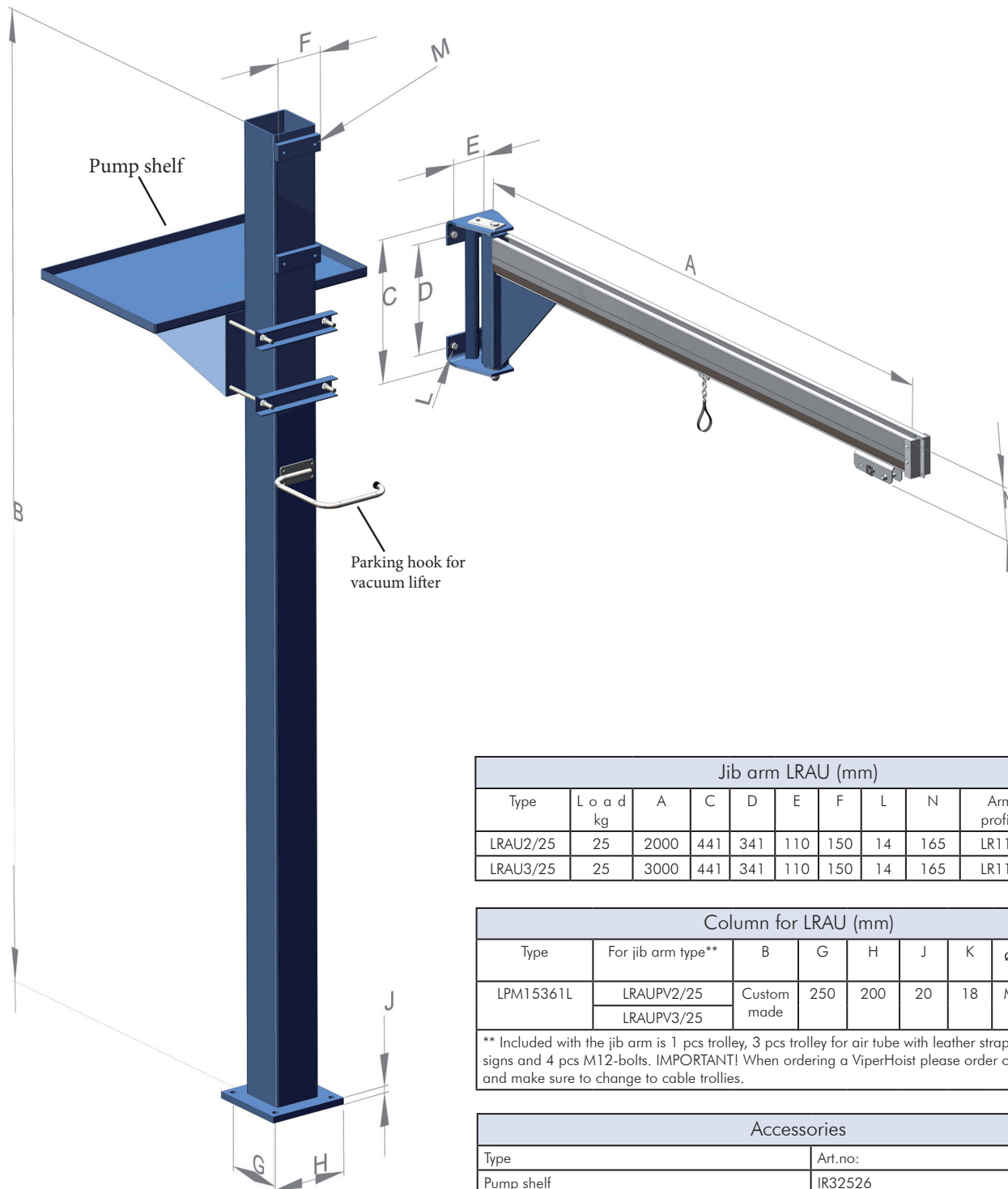
Accessories	
Type	Art.no:
Pump shelf	IR32526
Parking hook for vacuum lifter	610420 (VM160/180/200) 630420 (VM100/120/140)
Rotation stop	Sy-10433

Column has pre threaded holes for easy assembly of aifilter. Delivered with plastic straps for air tube.



## Underbraced aluminium Jib cranes up to 25 kg - LRAU

An underbraced jib arm is the optimal solution in low headroom area. The arm is built only 300 mm at the point of installation. Available in aluminium for lightweight goods handling up to 25 kg. The arm can be mounted directly on a wall or column. We manufacture custom made columns for low headroom areas. Radius of action up to 270 degrees and various arm lengths.



Jib arm LRAU (mm)										
Type	Load kg	A	C	D	E	F	L	N	Arm profile	Weight, kg
LRAU2/25	25	2000	441	341	110	150	14	165	LR113	27,9
LRAU3/25	25	3000	441	341	110	150	14	165	LR113	32,9

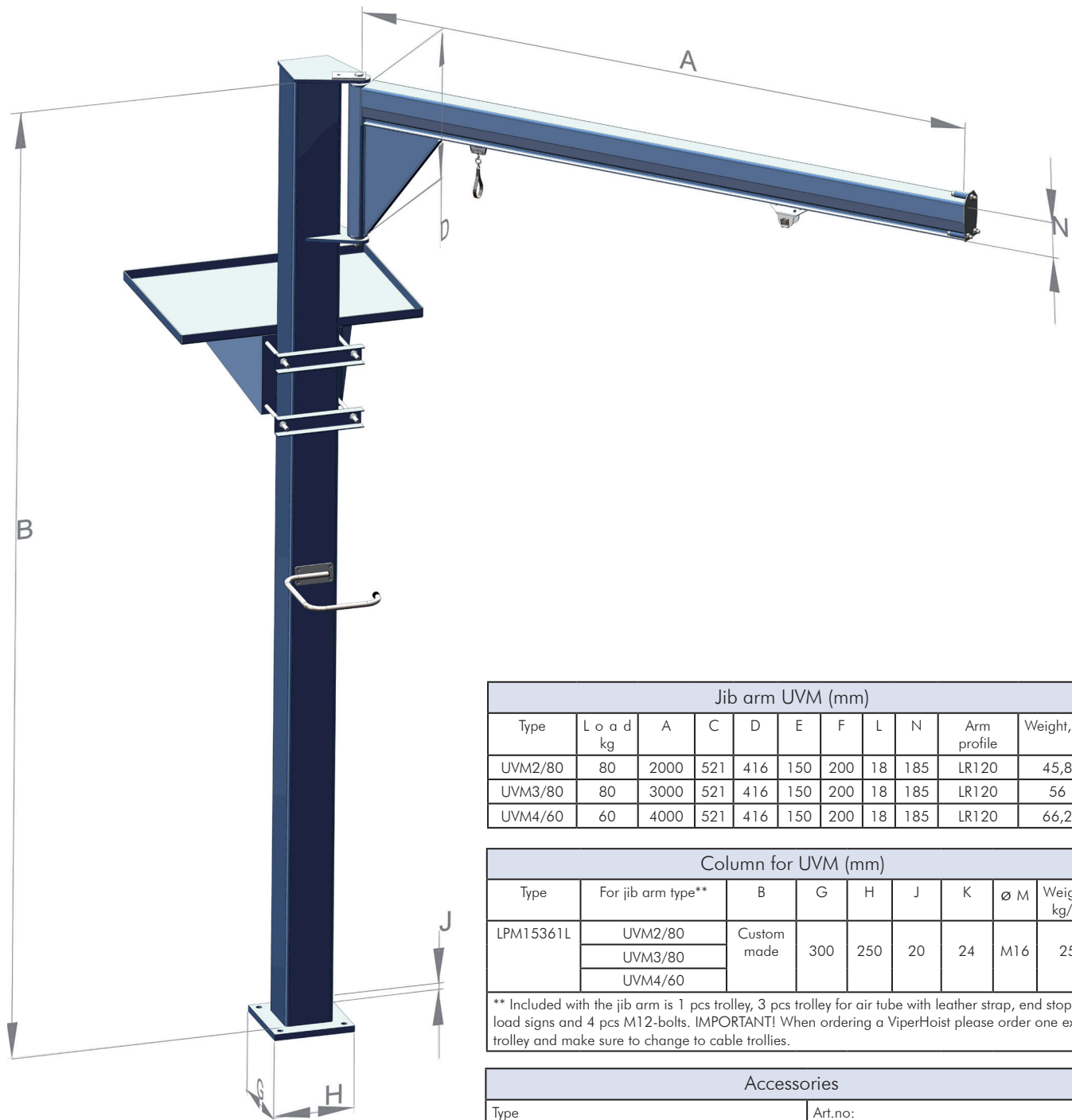
Column for LRAU (mm)									
Type	For jib arm type**	B	G	H	J	K	ø M	Weight, kg/m	
LPM15361L	LRAUPV2/25	Custom made	250	200	20	18	M12	25	
	LRAUPV3/25								

\*\* Included with the jib arm is 1 pcs trolley, 3 pcs trolley for air tube with leather strap, end stop, load signs and 4 pcs M12-bolts. IMPORTANT! When ordering a ViperHoist please order one extra trolley and make sure to change to cable trolleys.

Accessories	
Type	Art.no:
Pump shelf	IR32526
Parking hook for vacuum lifter	610420 (VM160/180/200) 630420 (VM100/120/140)
Rotation stop	Sy-10433
Column has pre threaded holes for easy assembly of aifilter. Delivered with plastic straps for air tube.	

## Underbraced steel Jib cranes up to 80 kg - UVM/UPM

An underbraced jib arm is the optimal solution in low headroom area. The arm builds only 300 mm at the point of installation. Available in steel for light-weight goods handling up to 80 kg. The arm can be mounted directly on a wall or column. We manufacture custom made columns for low headroom areas. Radius of action up to 270 degrees and various arm lengths.



Jib arm UVM (mm)										
Type	Load kg	A	C	D	E	F	L	N	Arm profile	Weight, kg
UVM2/80	80	2000	521	416	150	200	18	185	LR120	45,8
UVM3/80	80	3000	521	416	150	200	18	185	LR120	56
UVM4/60	60	4000	521	416	150	200	18	185	LR120	66,2

Column for UVM (mm)								
Type	For jib arm type**	B	G	H	J	K	ø M	Weight, kg/m
LPM15361L	UVM2/80	Custom made	300	250	20	24	M16	25
	UVM3/80							
	UVM4/60							

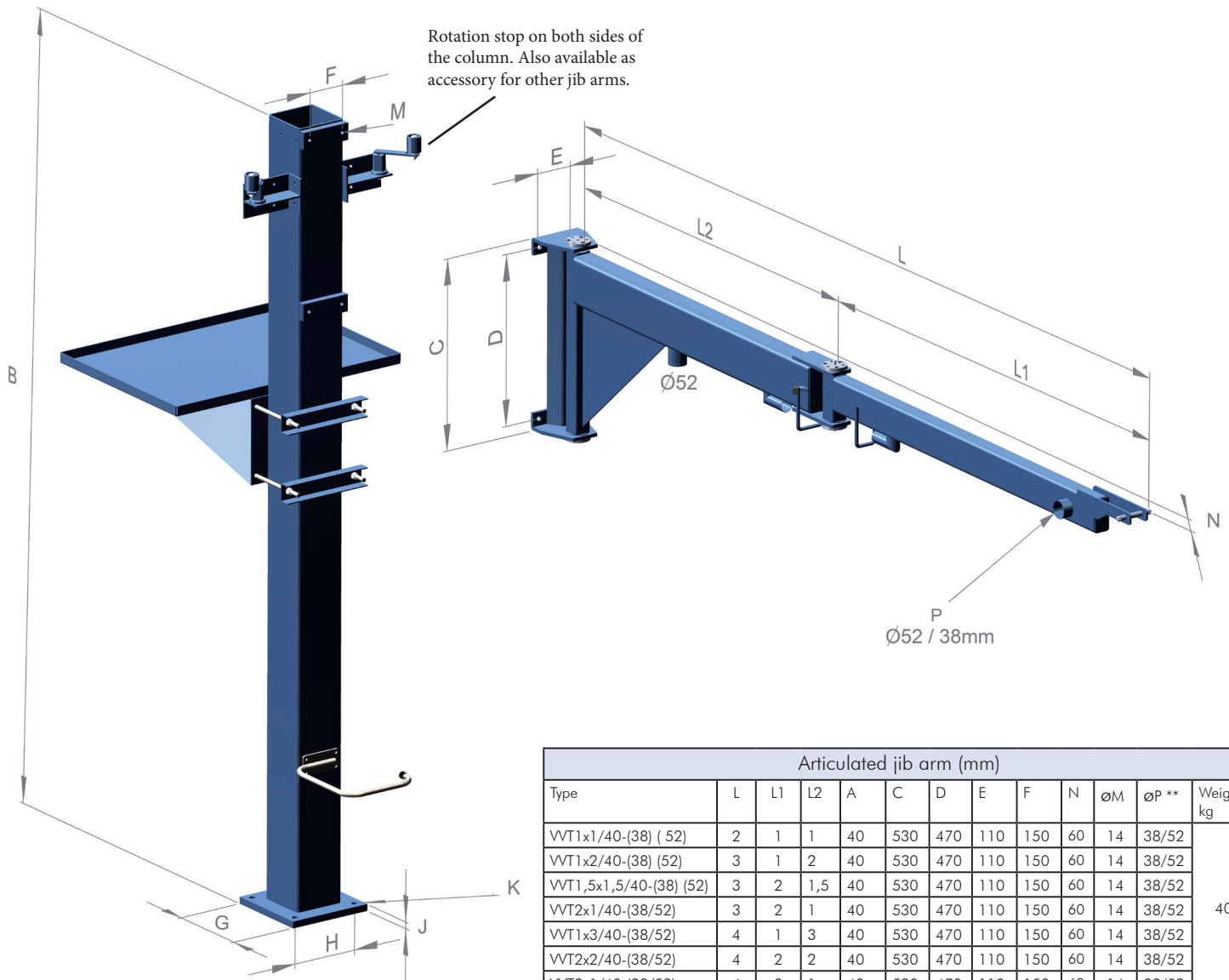
\*\* Included with the jib arm is 1 pcs trolley, 3 pcs trolley for air tube with leather strap, end stop, load signs and 4 pcs M12-bolts. IMPORTANT! When ordering a ViperHoist please order one extra trolley and make sure to change to cable trolleys.

Accessories	
Type	Art.no:
Pump shelf	IR32526
Parking hook for vacuum lifter	610420 (VM160/180/200) 630420 (VM100/120/140)
Rotation stop	Sy-10433
Column has pre threaded holes for easy assembly of airfilter. Delivered with plastic straps for air tube.	



## Articulated Jib cranes up to 80 kg - UVM/UPM

An articulated jib arm is an excellent alternative to other jib arms when you want to improve operational space in small areas. Due to its flexible design you achieve increased mobility and free rotation. The jib crane is fitted with an articulated arm that rotates on its on axis. You can easily avoid fixed obstacles. Good choice in low head room areas. Radius of action up to 360 degrees and various arm lengths. Available in steel.



Accessories	
Type	Art.no:
Pump shelf	IR32526
Parking hook for vacuum lifter	610420 (VM160/180/200) 630420 (VM100/120/140)
Rotation stop (included as standard)	Sy-10443
Column has pre threaded holes for easy assembly of afilter. Delivered with plastic straps for air tube.	

Column for Articulated arm (mm)								
Type	For jib arm type**	B Mx	G	H	J	K	ø M	Weight, kg
LP15361VWT	Custom made	3610	250	200	20	18	M14	25
LPM20386VVT	Custom made	3860	300	250	20	22	M18	25
** Included with the jib arm is 1 pcs trolley, 3 pcs trolley for air tube with leather strap, end stop, load signs and 4 pcs M12-bolts.								
** Column type LPM20386VVT suitable for arm type VWT1x3/80-(38/52), VWT2x2/80-(38/52) and VWT3x1/80-(38/52).								
** Column type LP15361VWT is suitable for all other arms. See articulated jib arms.								

Articulated jib arm (mm)													Weight, kg
Type	L	L1	L2	A	C	D	E	F	N	øM	øP **		
WT1x1/40-(38) ( 52)	2	1	1	40	530	470	110	150	60	14	38/52	40	
WT1x2/40-(38) (52)	3	1	2	40	530	470	110	150	60	14	38/52		
WT1,5x1,5/40-(38) (52)	3	2	1,5	40	530	470	110	150	60	14	38/52		
WT2x1/40-(38/52)	3	2	1	40	530	470	110	150	60	14	38/52		
WT1x3/40-(38/52)	4	1	3	40	530	470	110	150	60	14	38/52		
WT2x2/40-(38/52)	4	2	2	40	530	470	110	150	60	14	38/52		
WT3x1/40-(38/52)	4	3	1	40	530	470	110	150	60	14	38/52		
													60
WT1x1/60-(38/52)	2	1	1	40	530	470	110	150	60	14	38/52		
WT1x2/60-(38/52)	3	1	2	40	530	470	110	150	60	14	38/52		
WT1,5x1,5/60-(38/52)	3	1,5	1,5	40	530	470	110	150	60	14	38/52		
WT2x1/60-(38/52)	3	2	1	40	530	470	110	150	60	14	38/52		
WT1x3/60-(38/52)	4	1	3	40	530	470	110	150	60	14	38/52		
WT2x2/60-(38/52)	4	2	2	40	530	470	110	150	60	14	38/52		
WT3x1/60-(38/52)	4	3	1	40	530	470	110	150	60	14	38/52		
													80
WT1x1/80-(38/52)	2	1	1	40	530	470	110	150	60	14	38/52		
WT1x2/80-(38/52)	3	1	2	40	530	470	110	150	60	14	38/52		
WT1,5x1,5/80-(38/52)	3	1,5	1,5	40	530	470	110	150	60	14	38/52		
WT2x1/80-(38/52)	3	2	1	40	530	470	110	150	60	14	38/52		
** VWT1x3/80-(38/52)	4	1	3	40	700	640	150	200	60	18	38/52		
** VWT2x2/80-(38/52)	4	2	2	40	700	640	150	200	60	18	38/52		
** VWT3x1/80-(38/52)	4	3	1	40	700	640	150	200	60	18	38/52		
** IMPORTANT! Please specify which air tube Ø size you require. Ø38mm (VM100/120/140) or Ø52mm (VM160/180).													

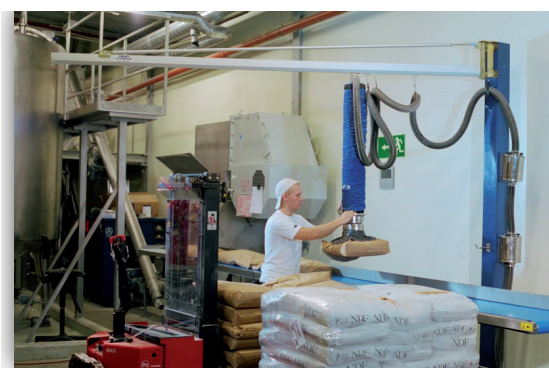
# TAWI Lyftman steel and aluminium Jib Cranes

A jib crane is a solution for workplaces that requires repetitive, stationary lifting. With the correct choice of jib crane you will achieve efficiency, good ergonomics, safety and use little manual force. The Lyftman jib cranes in light weight design offer efficiency and reliable performance ensuring flexible and effortless handling. With a wide range of product line we can deliver everything from standardised versions to customized solutions according to your specific requirements easy to install in any work environment – all manufactured in high Lyftman standard of quality. Lyftman jib cranes are available in four basic versions with jib arm in steel and aluminium. Which offer the least amount of friction, achieving smooth operation.

The base components includes column, arm and brackets that are easily to assemble due to their excessive compactness, ensuring maximum use of the hook run and minimum sideways weight, resulting in best possible use of the working area. Lyftman jib cranes can be mounted on their own pillars, walls or columns and handle loads up to 125 kg. The radius of action is available up to 270 degrees and arm length is available up to 6 m. A manually operated jib is most effective when the outer part (2/3) of the arm is used. The total length of the arm should not exceed what is needed to cover the working area.

The cranes are surface treated in an automatic powder-coating line for high resistance to corrosion, resulting in long lifespan and minimum maintenance. Jib cranes that can handle weights up to 1000 kg are also available.

The Lyftman manual jib crane portfolio consists of lightweight ergonomic arms, wall mounted and free standing arms, low built arms and articulating arms. All jib cranes can be combined with any lifting equipment such as TAWI VacuEasylift vacuum lifter and TAWIGrip pneumatic lifter and TAWI hoists. They are delivered complete with electrical systems with power supply to the hoist and main switch. The jib cranes combined with above mentioned lifting equipment are all in compliance with the requirement of EC machine directives ensuring high personal safety.



KNEZ INTEH d.o.o.  
Ivanićgradska 36  
HR-10000 Zagreb

e : info@knez-inteh.hr  
m : +385 (0)98 923 5330  
t/f : +385 (0)1 2067 819

Smart Lifting

**TAWI**  
Lyftman