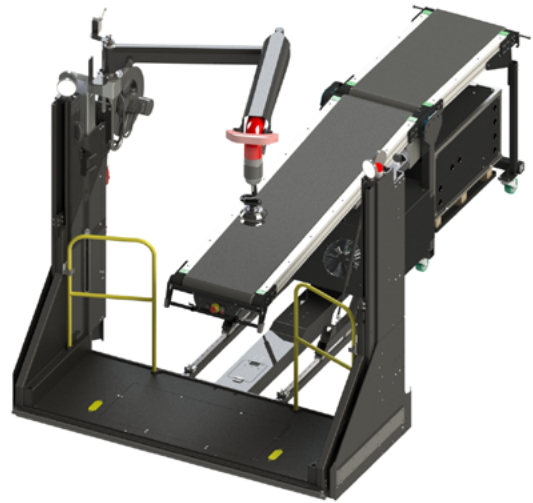
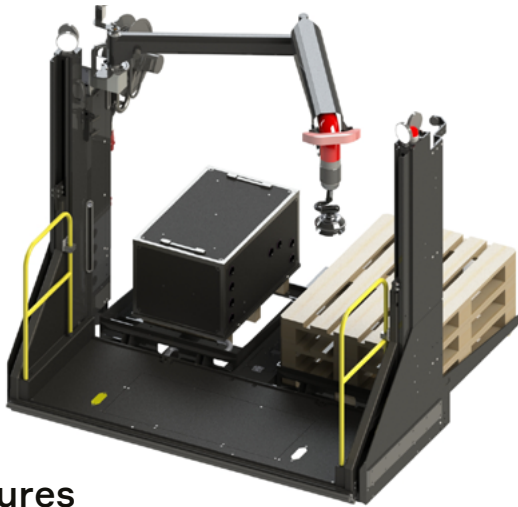


TAWI

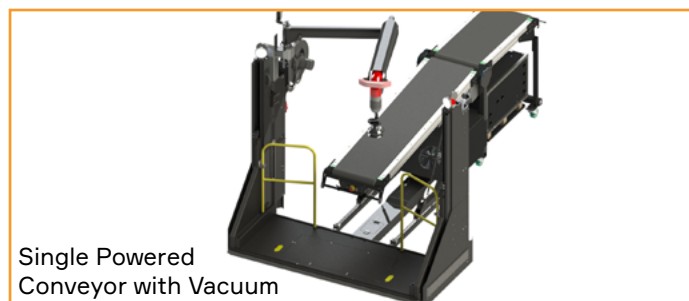
Container Unloader



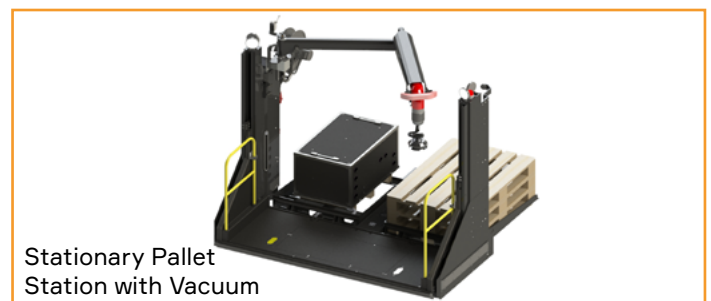
Features

- Eliminate manual lifting and conveying of materials received in shipping containers or confined box trucks
- Patented lift tube design ideal for hard to reach / top of container packages
- Completely mobile vacuum lift integrated with optional powered / unpowered conveyors and/or pallet stations (driven speed = .25 Meters per Second / .8 Feet per Second)
- Powered adjustable vacuum lift mast height
- Various valuable options to improve the working conditions inside the container. For example, working lights, fan, and heater.
- Adjustable conveyor belt for variable height / pitch / lateral position to reach packaged goods
- No fixed installation needed, battery powered when moved around the facility and driven on a 3-phase outlet during operation. Charging of the batteries are always done automatically during operations
- Height adjustable operator platform for easy access to hard to reach / top of container packages
- Easily integrated with optional flex conveyor (600 mm / 24" width)

Example of Configuration Options



Single Powered Conveyor with Vacuum



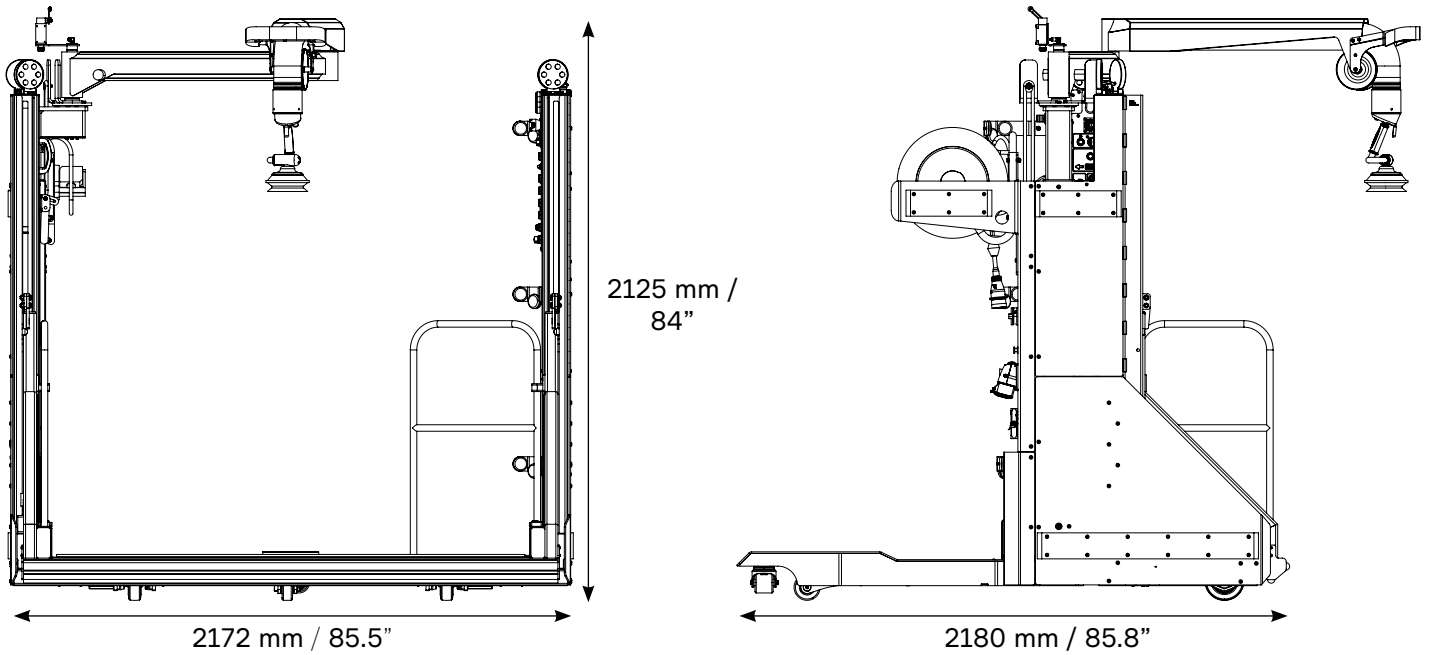
Stationary Pallet Station with Vacuum



Single Powered Conveyor with Flex Conveyor



Powered Conveyor without Vacuum



Vacuum Lifter Specifications

Available Lift Weight Capacities	50 kg / 110 lbs, 40 kg / 88 lbs
Lift Arm Reach	2 Meters / 6' 6"
Lift Mast at Highest Position	2625 mm / 103"
Lift Mast at Lowest Position	2125 mm / 84"
Lifting speed (m/s)	0-1

Belt Conveyor Specifications

Belt Weight Capacity	80 kg/m / 175 lbs/m
Variable Belt Speed	0.1 to 0.5 Meters per Second, 0.3 to 1.6 Feet per Second
Conveyor Assembly Width	600 mm/24" / 900 mm/35"
Belt Width	450 mm/17" / 750 mm/30"
Belt Length	3300 mm/129"

Platform Specifications

Platform Length x Width	735 mm x 1835 mm / 28" x 72"
Platform Weight	550 kg / 1220 lbs
Platform Maximum Raised Height	865 mm / 34"
Platform Speed	0.06 Meters per Second / 0.19 Feet per Second
Unit Driving Speed	0.2 Meters per second / 0.7 Feet per Second
Platform Weight Lifting Capacity	270 kg / 600 lbs
Platform Weight Support Capacity	330 kg / 725 lbs
Power Requirements*	100V-240V +/-10% / 380V-480V +/-15% / 50/60Hz

* For Battery Charging / Vacuum Pump Power / Conveyor Power